



4G /5G industrial wireless routers

Model: LBT-T300

Version: 310-CN-5GA-W4-RS485

Product Introduction:

The 4G/5G industrial-grade wireless router is a high-performance wireless communication product developed by Shenzhen LINBLE Technology Co., Ltd. based on the requirements of 4G/5G networks. It is mainly used for industrial users' data transmission services, supporting functions such as transparent data transmission, image transmission, device monitoring and wireless routing for Internet access.

4G/5G industrial-grade wireless routers, with embedded high-performance cpus, effortlessly handle advanced applications such as routing and security, and can be paired with multiple 4G/5G industrial communication modules (TDD-LTE/FDD-LTE networks). It provides 10/100M Ethernet ports, WIFI wireless interfaces, and serial ports. Compatible with a variety of terminal devices. Supports WEB configuration for easy and simple management, and supports remote cloud control.

Countries	4G/5G network solutions	Wireless network	Number of slots	Serial port Protocol	Custom content
CN= China Version EU= European version NA= North American version GL= Global Edition SA= South American version JP= Japanese version AU= Australian version	A= Domestic Q= Qualcomm V=4G private network R=Redcap H= hisilicon	W0= No WiFi W4=WiFi4 W5=WiFi5 W6=WiFi6	S1= Single card S2= Dual cards	RS232 RS485 TTL	DO POE GPS ESIM

Example: 310-CN-5GA-W4-S1-RS485; Version 310, China 5G domestic solution, single band WiFi4, single card, protocol RS485, no customization

Note: Some versions do not allow customization of the above content.

○ Hardware parameters

Product size	97*78.2* 25.5mm (L×W×H)(antenna interface excluded)
Power supply	Dc power supply: 12-24V / 1A
GPS	Customizable GNSS positioning module, supporting RTK technology, and capable of using a variety of satellite systems (GPS, GLONASS, Beidou, WAAS, EGNOS, MSAS, GAGAN) as a mixed engine.
External interface	Reset key: 1 Indicator lights: 4 Antenna interface: 1-4 (optional) SIM card slot: 1 DC power interface: 1 (2.1mm round head power interface)
Protection grade	RS 232/485 interface: 1 (optional)(2.0mm 4-pin connector) LAN ports: 2 (LAN 1 is WAN/LAN adaptive) Protection level: IP30
Indicator light	LINK, SYS, WAN/LAN1 to LAN2
Antenna	SMA external rotating inner hole
Storage memory	Storage :8MB, memory: 64MB
Authentication	CE, FCC, CCC
Power consumption (current)	4G: less than 400 mA 5G: less than 800mA
Operating temperature Humidity	Operating temperature: -20 to +70 ° C Storage temperature: -40 to +80 ° C Humidity: 5 to 95% (non-condensing)

○ Product packaging size/weight

Product weight (g)	152g
Product dimensions (mm)	94.1*78.2*25.1mm
Packaging size (cm)	25*16*7cm
Product packaging weight (kg)	0.5kg
Outer box dimensions (cm)	71.3*44.3*26.8cm
Container weight estimate (kg)	22kg

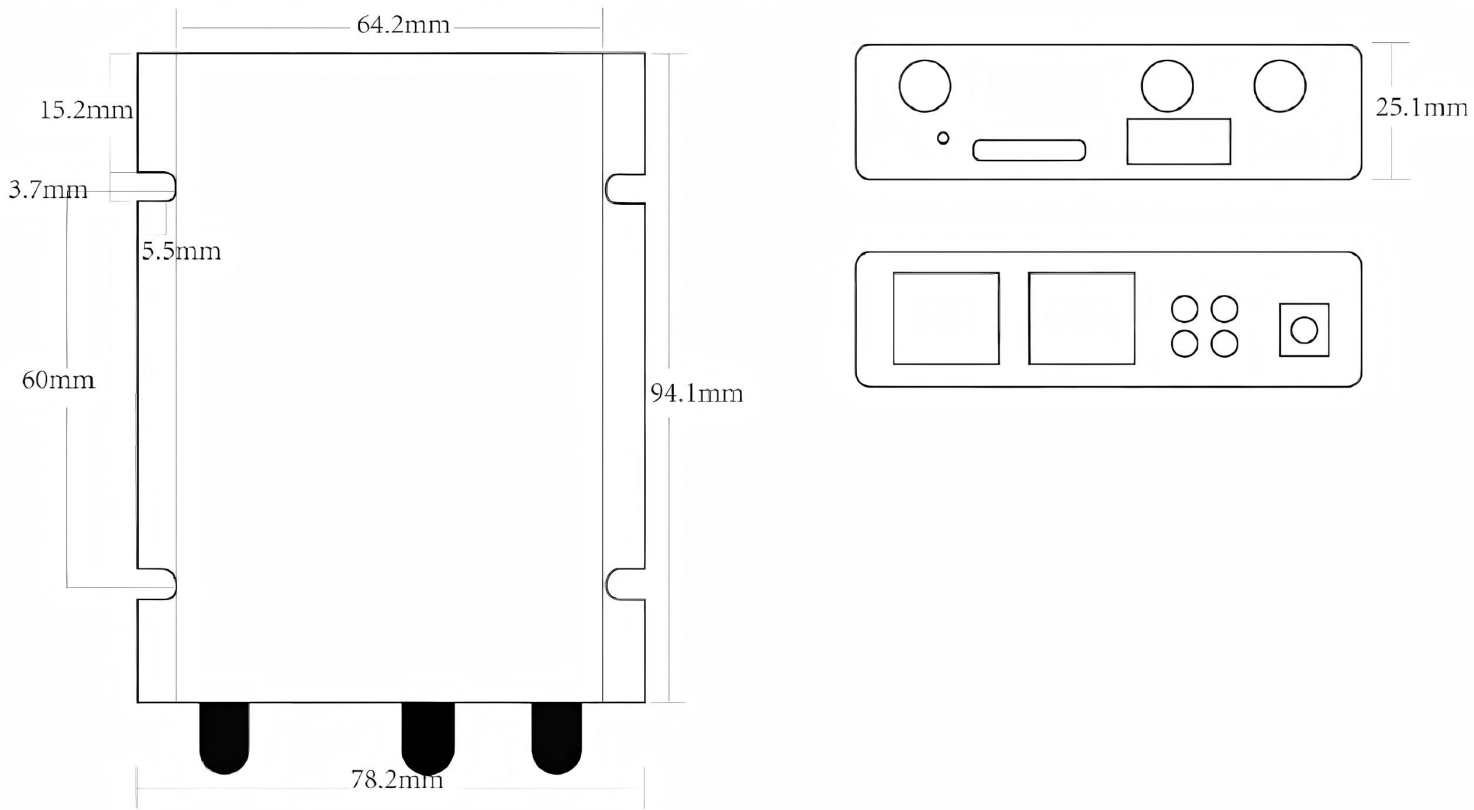
○ Feature Data

Basic Features	4G Internet Protocol: 4G Dial-up Internet via DHCP/Static IP/PPPoE Supported User Count: Wired: 253, Wireless: 30 VPN Protocols: PPTP Client, L2TP Client (supported only in dedicated network version) Wi-Fi Protocols: IEEE 802.11b/g/n Network Features: NAT, DNAT, DMZ, Port Forwarding
WLAN Security Consultative	OpenSystem, WPA-PSK, WPA2-PSK, WPAPSK/WPA2 PSK, WPA1 / WPA2
Operating frequency band	2400-2483.5 MHz
WiFi transmission Rate/Data	Transfer rate: 300Mbps(MAX) (theoretical maximum) WiFi data: 802.11n:-66 dBm at 300 Mbps/HT 40 MCS7:+1 3.5 dBm 802.11b:-86dBm at 11Mbps/CCK :+18 dBm 802.11g:-73dBm at 54Mbps/OFDM: +1 3.5 dBm
System Services	Virtual servers, port triggers, serial port services, firewalls, MAC filtering, access control, port blocking, regional Settings, factory reset, NTP server Settings, backup system information, software upgrades, remote management
Operating system Browser Requirements	System :Windows XP/VISTA, Linux 2.6, Windows 7 , MAC OS: 1 0.3.7 ; Browser :IE:6.0 Safari:1.2.4 Firefox:2.0.0.8

○ Optional frequency bands

4G band	CN(Domestic - default) : FDD-LTE B1/3/5/8 TDD-LTE B38/39/40/41 EU(Europe) : FDD-LTE B1/3/5/7/8/20 TDD-LTE B38/39/40/41 NA(North America) : FDD-LTE B2/3/4/5/7/8/12/13/17/25/26/66 TDD-LTE B41 SA(South America) : FDD-LTE B2/4/5/7/8/28 TDD-LTE B40 J(Japan) : FDD-LTE B1/3/8/18/19/26 TDD-LTE 41 GL(Global) : FDD-LTE B1/2/3/4/5/7/8/17/20/28 TDD-LTE B38/39/40/41
5G band (Optional)	CN(Domestic/Asia) : 5G NR NSA:N41/N78/N79 5G NR SA:N1/N8/N28/N41/N78/N79 LTE-FDD:B1/B3/B5/B8 LTE-TDD:B34/B38/B39/B40/B41 WCDMA:B1/B8 5G DL 4x4 MIMO:N41/N78/N79

○ Housing positioning holes



○ Standard accessories



Power adapter *1



2 m suction cup antenna -
WiFi



2 m suction cup antenna -4G
(Optional cabinet antenna, rubber stick
antenna, etc.)



SIM card *1



Certificate of conformity *1