



# 5G Industrial Wireless Router

Model: LBT-T300

Version: MINI2-CN-5GA-W4-S1-RS485&RS232

## Product Introduction:

The 4G/5G industrial-grade wireless router is a high-performance wireless communication product developed by Shenzhen LINBLE Technology Co., Ltd. based on the requirements of 4G/5G networks. It is mainly used for industrial users' data transmission services, supporting functions such as transparent data transmission, image transmission, device monitoring and wireless routing for Internet access.

4G/5G industrial-grade wireless routers, with embedded high-performance cpus, effortlessly handle advanced applications such as routing and security, and can be paired with multiple 4G/5G industrial communication modules (TDD-LTE/FDD-LTE networks). It provides 10/100M Ethernet ports, WIFI wireless interfaces, and serial ports. Compatible with a variety of terminal devices. Supports WEB configuration for easy and simple management, and supports remote cloud control.

Countries	4G/5G network solutions	Wireless network	Number of slots	Serial port Protocol	Custom content
CN= China Version EU= European version NA= North American version GL= Global Edition SA= South American version JP= Japanese version AU= Australian version	A= Domestic Q= Qualcomm V=4G private network R=Redcap H= hisilicon	W0= No WiFi W4=WiFi4 W5=WiFi5 W6=WiFi6	S1= Single card S2= Dual cards	RS232 RS485 TTL	DO POE GPS ESIM

Example: MINI2-CN-5GA-W4-S1-RS485&232; Version MINI2, China 5G domestic solution, single band WiFi4, single card, protocol RS485&232, no customization

Note: Some versions do not allow customization of the above content.

## ○ Hardware parameters

Product size	123*84.2*30mm(L×W×H)
Power supply	Direct Current Power Supply: 6-36V/3A
GPS	Customizable GNSS positioning module, supporting RTK technology, and featuring a hybrid engine compatible with multiple satellite systems (GPS, GLONASS, Beidou, WAAS, EGNOS, MSAS, GAGAN).
External interface Protection grade	Reset button: 1 Indicator lights: 4 Antenna interface: 6 (optional) SIM card slot: 1 DC power supply interface/terminal power supply (2PIN female edge 3.5): 1 (2.1mm round power interface), reverse protection, voltage input of 12V, recommended input power greater than 10W RS232 & 485 interface: 1 (2.0mm 6PIN connector) LAN port: 2 (LAN1 is WAN/LAN adaptive) Protection level: IP30
Indicator light	LINK 、 SYS 、 WAN/LAN0~LAN4
Antenna	SMA external rotating inner hole
Storage memory	Storage :8MB, memory: 64MB
Power consumption	5G: less than 800mA
Authentication	CE, FCC, CCC
Operating temperature Humidity	Operating temperature: -20 to +70 ° C Storage temperature: -40 to +80 ° C Humidity: 5 to 95% (non-condensing)

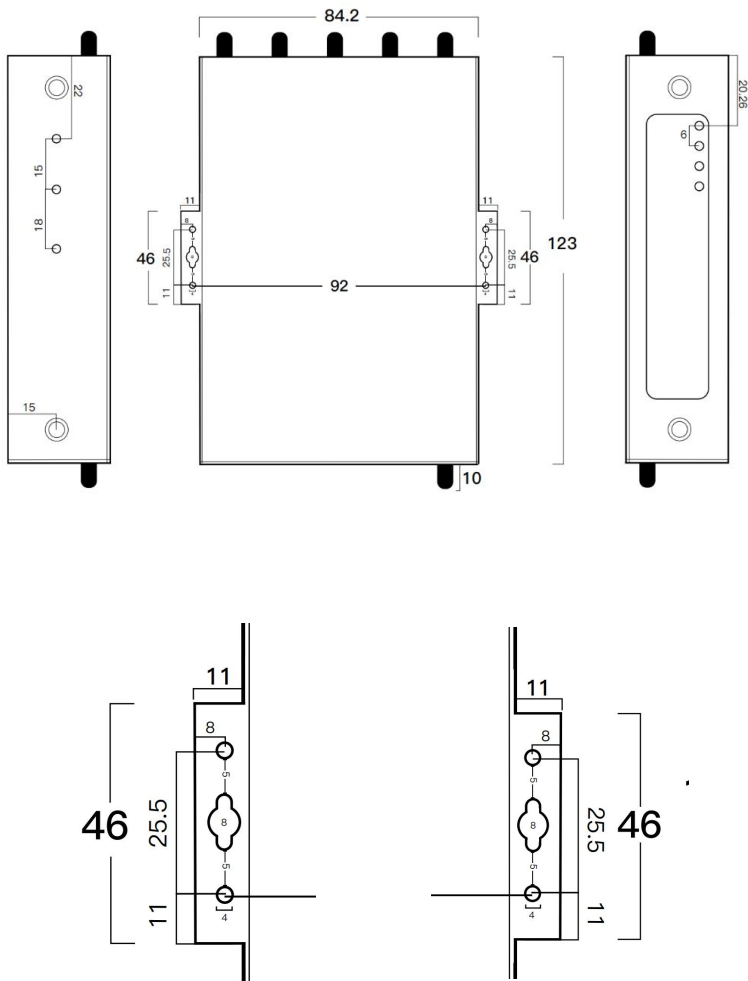
## ○ Feature Data

Basic Features	4G Internet Protocol: 4G Dial-up Internet via DHCP/Static IP/PPPoE Supported User Count: Wired: 253, Wireless: 30 VPN Protocols: PPTP Client, L2TP Client (supported only in dedicated network version) Wi-Fi Protocols: IEEE 802.11b/g/n Network Features: NAT, DNAT, DMZ, Port Forwarding
Operating frequency band	2412-2472MHz
WiFi transmission Rate/Data	Transfer rate: 300Mbps(MAX) (theoretical maximum) WiFi data: 802.11n: -66dBm at 300 Mbps HT40MCS7: +14dBm(±2dB) 802.11b: -86dBm at 11Mbps/CCK: +14dBm(±2dB) 802.11g: -73dBm at 54Mbps/OFDM: +14dBm(±2dB)
WLAN Security Consultative	OpenSystem, WPA-PSK, WPA2-PSK, WPAPSK/WPA2 PSK, WPA1 / WPA2
System Services	Virtual servers, port triggers, serial port services, firewalls, MAC filtering, access control, port blocking, regional Settings, factory reset, NTP server Settings, backup system information, software upgrades, remote management
Operating system Browser Requirements	System :Windows XP/VISTA, Linux 2.6, Windows 7 , MAC OS: 1 0.3.7 ; Browser :IE:6.0 Safari:1.2.4 Firefox:2.0.0.8

## ○ Product packaging size/weight

Product weight (g)	1000g
Product dimensions (mm)	97*78.2*25.5mm
Packaging size (cm)	35*18*7cm
Product packaging weight (kg)	1kg
Outer box dimensions (cm)	71.3*44.3*26.8cm
Container weight estimate (kg)	22kg

## Housing positioning holes



## Optional frequency bands

4G band

CN: FDD-LTE B1/3/5/8  
 TDD-LTE B38/39/40/41  
 EU: FDD-LTE B1/3/5/7/8/20  
 TDD-LTE B38/39/40/41  
 NA: FDD-LTE B2/3/4/5/7/8/12/ 13/17/25/26/66  
 TDD-LTE B41  
 SA: FDD-LTE B2/4/5/7/8/28  
 TDD-LTE B40  
 J: FDD-LTE B1/3/8/18/19/26  
 TDD-LTE 41  
 GL: FDD-LTE B1/2/3/4/5/7/8/17/20/28  
 TDD-LTE B38/39/40/41

5G band  
 (Optional)

CN: 5G NR NSA: N41/78/79  
 5G NR SA: N1/8/28/41/78/79  
 LTE-FDD B1/3/5/8  
 LTE-TDD: B34/38/39/40/41  
 EA: 5G  
 SA&NSA: N1/N3/5/7/8/20/28/38/40/41/71/77/78/79  
 LTE-FDD: B1/3/5/7/8/18/19/20/28/32  
 LTE-TDD: B34/38/39/40/41/42  
 GL: 5GNR SA:  
 n1/2/3/5/7/8/12/20/25/28/38/40/41/48/66/71/77/  
 78/79  
 5G NR NSA: n38/41/77/78/79  
 LTE-FDD:  
 B1/2/3/4/5/7/8/12/13/14/17/18/19/20/25/26/28/29/  
 30/32/66/71  
 LTE-TDD: B34/38/39/40/41/42/43/48

## Standard accessories



Power adapter \*1



2 m suction cup antenna -  
 WiFi



2 m suction cup antenna -4G  
 (Optional cabinet antenna, rubber stick  
 antenna, etc.)



Certificate of conformity \*1