



4G industrial wireless routers

Model: LBT-T300

Version: 260C-CN-4GA-W4-RS485

Product Introduction

The 4G industrial-grade wireless router is a high-performance wireless communication product developed by Shenzhen LINBLE Technology Co., Ltd. based on the requirements of 4G/5G networks. It is mainly used for industrial users' data transmission services, supporting functions such as transparent data transmission, image transmission, device monitoring and wireless routing for Internet access.

4G industrial-grade wireless routers, with embedded high-performance cpus, effortlessly handle advanced applications such as routing and security, and can be paired with multiple 4G/5G industrial communication modules (TDD-LTE/FDD-LTE networks). It provides 10/100M Ethernet ports, WIFI wireless interfaces, and serial ports. Compatible with a variety of terminal devices. Supports WEB configuration for easy and simple management, and supports remote cloud control.

Countries	4G/5G network solutions	Wireless network	Number of slots	Serial port Protocol	Custom content
CN= China Version EU= European version NA= North American version GL= Global Edition SA= South American version JP= Japanese version AU= Australian version	A= Domestic Q= Qualcomm V=4G private network R=Redcap H= hisilicon	W0= No WiFi W4=WiFi4 W5=WiFi5 W6=WiFi6	S1= Single card S2= Dual cards	RS232 RS485 TTL	DO POE GPS ESIM

Example: 260C-CN-4GA-W4-S1-RS485; Version 260C, China 4G domestic solution, single band WiFi4, single card, protocol RS485, no customization

Note: Some versions do not allow customization of the above content.

○ Hardware parameters

Product size	80.1*64*25.1mm(L×W×H)
Power supply	Dc power supply: 12-35V / 1A
External interface	Reset button: 1 Indicator lights: 4 Antenna interface: 1-3 (optional) SIM card slot: 1 DC power supply interface: 1 (2.1mm round power connector) surge protection, reverse connection protection, overvoltage protection
Protection grade	RS232/485 interface: 1 (customized) (2.0mm 4PIN connector) LAN port: 2 (LAN1 is WAN/LAN adaptive) Protection level: IP30 Built-in lightning protection for standard RJ45 (Ethernet) interface: 3KV
Indicator light	LINK, SYS, WAN/LAN1 to LAN2
Antenna	SMA external rotating inner hole
Storage memory	Storage :8MB, memory: 64MB
Authentication	CE, FCC, CCC
Power consumption (current)	less than 400 mA
Operating temperature Humidity	Operating temperature: -20 to +70 ° C Storage temperature: -40 to +80 ° C Humidity: 5 to 95% (non-condensing)

○ Optional frequency bands

4G band	CN: FDD-LTE B1/3/5/8 TDD-LTE B38/39/40/41 EU: FDD-LTE B1/3/5/7/8/20 TDD-LTE B38/39/40/41 AU:FDD-LTE B1/3/5/7/8/20/28 TDD-LTE B38/40/41 NA: FDD-LTE B2/3/4/5/7/8/12/13/17/25/26/66 TDD-LTE B41 SA: FDD-LTE B2/4/5/7/8/28 TDD-LTE B40 J: FDD-LTE B1/3/8/18/19/26 TDD-LTE 41 GL: FDD-LTE B1/2/3/4/5/7/8/17/20/28 TDD-LTE B38/39/40/41
---------	---

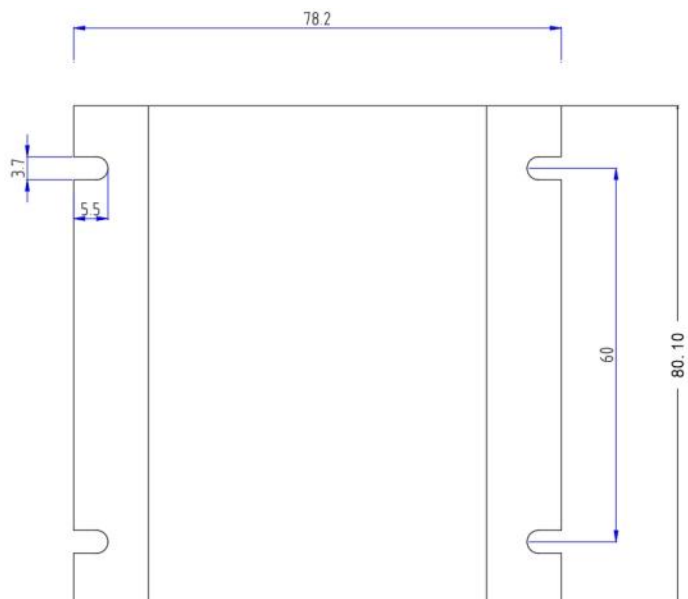
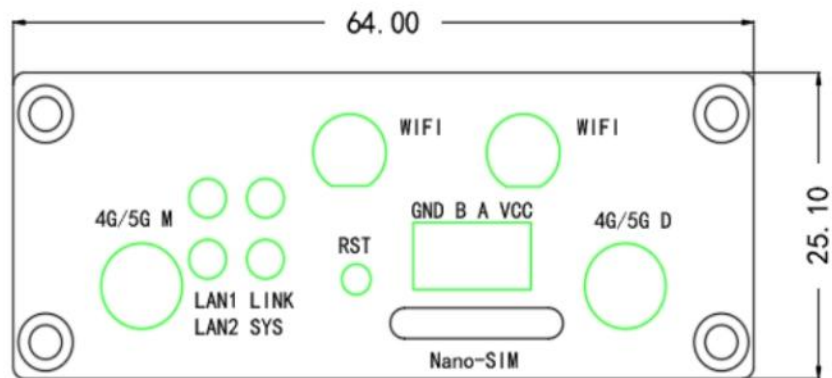
○ Feature Data

Basic Features	4G Internet Protocol: 4G dial-up access / DHCP / Static IP / PPPoE. Number of users supported: Wired: 253 Network functions: NAT, DNAT, DMZ, port forwarding Soft and hardware watchdog design to prevent system from freezing. When the router loses connection, it will automatically power off and restart to ensure stable and reliable operation of the equipment.
WLAN Security Consultative	OpenSystem, WPA-PSK, WPA2-PSK, WPAPSK/WPA2 PSK, WPA1 / WPA2
Operating frequency band	2400-2483.5 MHz
WiFi transmission Rate/Data	Transfer rate: 300Mbps(MAX) (theoretical maximum) WiFi data: 802.11n:-66 dBm at 300 Mbps/HT 40 MCS7:+13.5 dBm 802.11b:-86dBm at 11Mbps/CCK :+18 dBm 802.11g:-73dBm at 54Mbps/OFDM: +13.5 dBm
System Services	Virtual servers, port triggers, serial port services, firewalls, MAC filtering, access control, port blocking, regional Settings, factory reset, NTP server Settings, backup system information, software upgrades, remote management
Operating system Browser Requirements	System :Windows XP/VISTA, Linux 2.6, Windows 7 , MAC OS: 10.3.7 ; Browser :IE:6.0 Safari:1.2.4 Firefox:2.0.0.8

○ Product packaging size/weight

Product weight (g)	153g
Product dimensions (mm)	80.1*64*25.1mm
Packaging size (cm)	25*16*7cm
Product packaging weight (kg)	0.5kg
Outer box dimensions (cm)	71.3*44.3*26.8cm
Container weight estimate (kg)	15kg

Housing positioning holes



Standard accessories



Power adapter *1
Optional: British Standard / European Standard / American Standard



2 m suction cup antenna - WiFi



2 m suction cup antenna -4G
(Optional cabinet antenna, rubber stick antenna, etc.)



Certificate of conformity *1