



# 4G /5G industrial wireless routers

Model: LBT-T300

Version: 310-CN-5GA-W4-RS485

**Product Introduction:**

The 4G/5G industrial-grade wireless router is a high-performance wireless communication product developed by Shenzhen LINBLE Technology Co., Ltd. based on the requirements of 4G/5G networks. It is mainly used for industrial users' data transmission services, supporting functions such as transparent data transmission, image transmission, device monitoring and wireless routing for Internet access.

4G/5G industrial-grade wireless routers, with embedded high-performance cpus, effortlessly handle advanced applications such as routing and security, and can be paired with multiple 4G/5G industrial communication modules (TDD-LTE/FDD-LTE networks). It provides 10/100M Ethernet ports, WIFI wireless interfaces, and serial ports. Compatible with a variety of terminal devices. Supports WEB configuration for easy and simple management, and supports remote cloud control.

| Countries   | 4G/5G network solutions  | Wireless network                                | Number of slots                   | Serial port Protocol  | Custom content           |
|---|--|---|-----------------------------------|-----------------------|--------------------------|
| CN= China Version<br>EU= European version<br>NA= North American version<br>GL= Global Edition<br>SA= South American version<br>JP= Japanese version<br>AU= Australian version | A= Domestic<br>Q= Qualcomm<br>V=4G private network<br>R=Redcap<br>H= hisilicon | W0= No WiFi<br>W4=WiFi4<br>W5=WiFi5<br>W6=WiFi6 | S1= Single card<br>S2= Dual cards | RS232<br>RS485<br>TTL | DO<br>POE<br>GPS<br>ESIM |

Example: 310-CN-5GA-W4-S1-RS485; Version 310, China 5G domestic solution, single band WiFi4, single card, protocol RS485, no customization

Note: Some versions do not allow customization of the above content.

## Hardware parameters

|                                |  |
|--------------------------------|--|
| Product size                   | 97*78.2* 25.5mm (L×W×H)(antenna interface excluded)  |
| Power supply                   | Dc power supply: 12-24V / 1A   |
| GPS                            | Customizable GNSS positioning module, supporting RTK technology, and capable of using a variety of satellite systems (GPS, GLONASS, Beidou, WAAS, EGNOS, MSAS, GAGAN) as a mixed engine. |
| External interface             | Reset key: 1<br>Indicator lights: 4<br>Antenna interface: 1-4 (optional)<br>SIM card slot: 1<br>DC power interface: 1 (2.1mm round head power interface)                                 |
| Protection grade               | RS 232/485 interface: 1 (optional)(2.0mm 4-pin connector)<br>LAN ports: 2 (LAN 1 is WAN/LAN adaptive)<br>Protection level: IP30  |
| Indicator light                | LINK, SYS, WAN/LAN1 to LAN2  |
| Antenna                        | SMA external rotating inner hole   |
| Storage memory                 | Storage :8MB, memory: 64MB   |
| Authentication                 | CE, FCC, CCC   |
| Power consumption (current)    | 4G: less than 400 mA 5G: less than 800mA   |
| Operating temperature Humidity | Operating temperature: -20 to +70 ° C<br>Storage temperature: -40 to +80 ° C<br>Humidity: 5 to 95% (non-condensing)  |

## Product packaging size/weight

|                                |                  |
|--------------------------------|------------------|
| Product weight (g)             | 152g             |
| Product dimensions (mm)        | 94.1*78.2*25.1mm |
| Packaging size (cm)            | 25*16*7cm        |
| Product packaging weight (kg)  | 0.5kg            |
| Outer box dimensions (cm)      | 71.3*44.3*26.8cm |
| Container weight estimate (kg) | 22kg             |

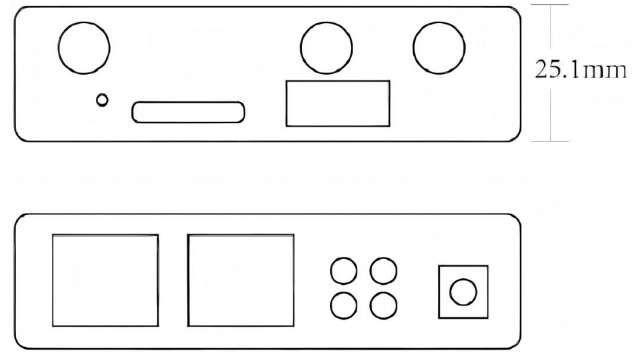
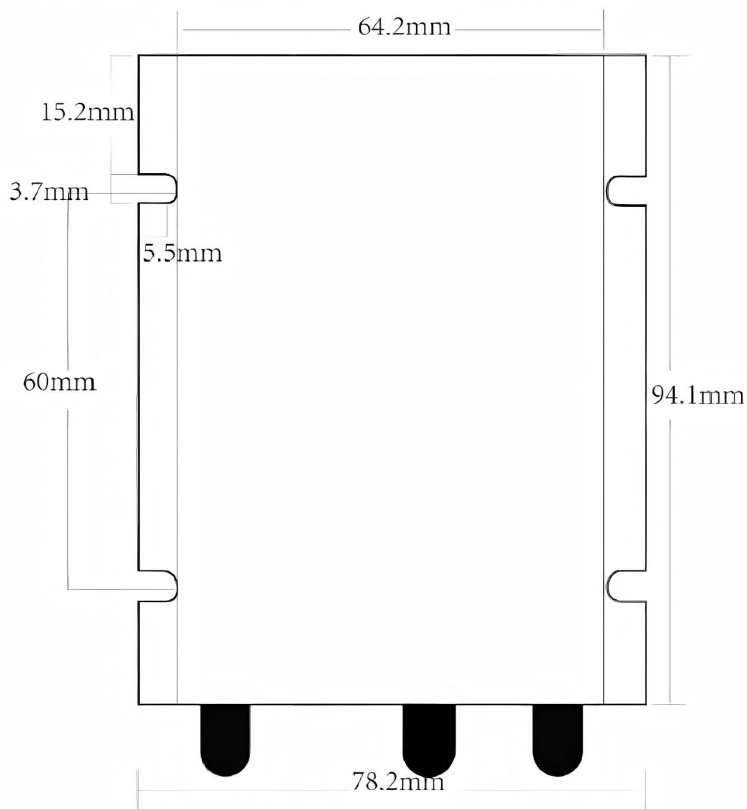
## Feature Data

|                                       |   |
|---------------------------------------|---|
| Basic Features                        | 4G Internet Protocol: 4G Dial-up Internet via DHCP/Static IP/PPPoE<br>Supported User Count: Wired: 253, Wireless: 30<br>VPN Protocols: PPTP Client, L2TP Client (supported only in dedicated network version)<br>Wi-Fi Protocols: IEEE 802.11b/g/n<br>Network Features: NAT, DNAT, DMZ, Port Forwarding |
| WLAN Security Consultative            | OpenSystem, WPA-PSK, WPA2-PSK, WPAPSK/WPA2 PSK, WPA1 / WPA2   |
| Operating frequency band              | 2400-2483.5 MHz   |
| WiFi transmission Rate/Data           | Transfer rate: 300Mbps(MAX) (theoretical maximum)<br>WiFi data:<br>802.11n:-66 dBm at 300 Mbps/HT 40 MCS7:+1 3.5 dBm<br>802.11b:-86dBm at 11Mbps/CCK :+18 dBm<br>802.11g:-73dBm at 54Mbps/OFDM: +1 3.5 dBm  |
| System Services                       | Virtual servers, port triggers, serial port services, firewalls, MAC filtering, access control, port blocking, regional Settings, factory reset, NTP server Settings, backup system information, software upgrades, remote management   |
| Operating system Browser Requirements | System :Windows XP/VISTA, Linux 2.6, Windows 7 ,<br>MAC OS: 1 0.3.7 ; Browser :IE:6.0 Safari:1.2.4<br>Firefox:2.0.0.8   |

## Optional frequency bands

|                    |   |
|--------------------|---|
| 4G band            | CN(Domestic - default) : FDD-LTE B1/3/5/8<br>TDD-LTE B38/39/40/41<br>EU(Europe) : FDD-LTE B1/3/5/7/8/20<br>TDD-LTE B38/39/40/41<br>NA(North America) : FDD-LTE<br>B2/3/4/5/7/8/12/13/17/25/26/66<br>TDD-LTE B41<br>SA(South America) : FDD-LTE B2/4/5/7/8/28<br>TDD-LTE B40<br>J(Japan) : FDD-LTE B1/3/8/18/19/26<br>TDD-LTE 41<br>GL(Global) : FDD-LTE B1/2/3/4/5/7/8/17/20/28<br>TDD-LTE B38/39/40/41 |
| 5G band (Optional) | CN(Domestic/Asia) : 5G NR NSA:N41/N78/N79<br>5G NR SA:N1/N8/N28/N41/N78/N79<br>LTE-FDD:B1/B3/B5/B8<br>LTE-TDD:B34/B38/B39/B40/B41<br>WCDMA:B1/B8<br>5G DL 4x4 MIMO:N41/N78/N79  |

## ○ Housing positioning holes



## ○ Standard accessories



Power adapter \*1

Optional: British Standard /  
European Standard / American  
Standard



2 m suction cup antenna -  
WiFi



2 m suction cup antenna -4G  
(Optional cabinet antenna, rubber stick  
antenna, etc.)



Certificate of conformity \*1